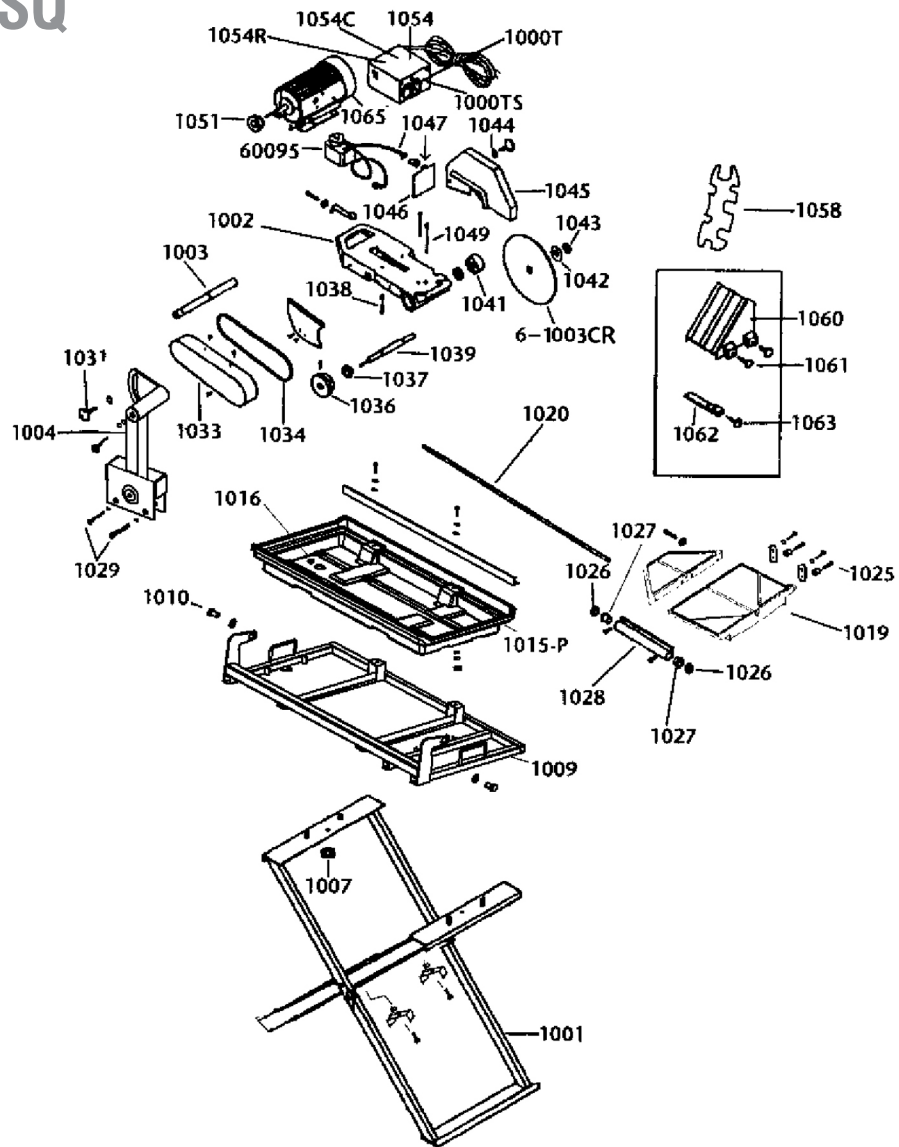




24 in. Tile Saw

60020 | 60020SQ



Replacement Parts List

Item #	Part #	Description
620-0000	0000	Replacement Motor
620-1000T	1000T	Mechanical Switch
620-1000TS	1000TS	Face Plate for Switch
620-1001	1001	Folding Saw Stand
620-1002	1002	Motor Base
620-1003	1003	Motor Support Shaft

Item #	Part #	Description
620-1004	1004	Motor Support Arm
620-1005	1005	Bolts for Motor (not shown)
620-1007	1007	Stand Attachment Knobs
620-1008	1008	Fan (not shown)
620-1009	1009	Saw Frame
620-1010	1010	Adjustable Screw-Tray

Replacement Parts List

Item #	Part #	Description
620-1015-P	1015-P	Water Tray (Plastic)
620-1016	1016	Drain Plug
620-1019	1019	Cutting Table
620-1020	1020	Rail
620-1025	1025	Cutting Table Roller
620-1026	1026	Grease Seals
620-1027	1027	Guide Tube Align Washers
620-1028	1028	Guide Tube & Bolts
620-1029	1029	Rear Support Nuts & Bolts
620-1031	1031	Rear Support Knob & Washer
620-1033	1033	Belt Guard
620-1034	1034	"A" Belt
620-1036	1036	Blade Shaft Pulley
620-1037	1037	Blade Shaft Bearing
620-1038	1038	Blade Shaft Lock Pin
620-1039	1039	Blade Shaft
620-1041	1041	Inner Flange
620-1042	1042	Outer Flange
620-1043	1043	Shaft Nut
620-1044	1044	Blade Guard Knob & Washer
620-1045	1045	Blade Guard

Item #	Part #	Description
620-1046	1046	Back Splash Guard
620-1047	1047	Attachment Bracket
620-1048	1048	Y-Water Feed (not shown)
620-1051	1051	Motor Pulley
620-1054	1054	Power Reset Button Housing
620-1054C	1054C	Run Capacitor
620-1054S	1054S	Start Capacitor
620-1054R	1054R	Thermal Overload Reset Button
620-1058	1058	Wrench
620-1060	1060	45° Miter Block
620-1061	1061	Miter Block Adjust. Knob
620-1062	1062	Rip Guide
620-1063	1063	Rip Guide Adjust. Knob
620-1065	1065	Fan Cover
6-1003CR	--	10" Blade
60095	--	Water Pump