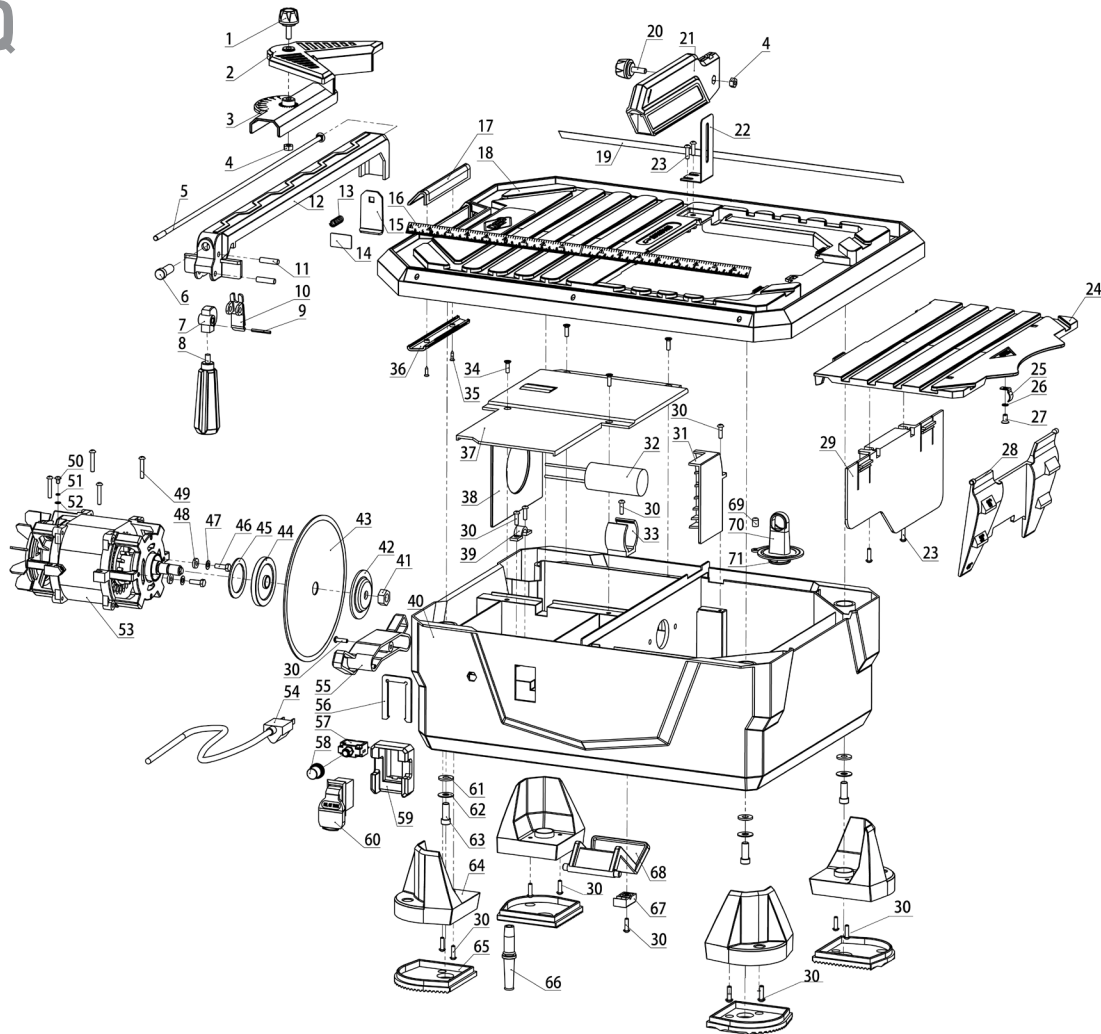




POWER PRO 7" 1 HP Tile Saw

22900Q



Replacement Parts List

Item #	Part #	Description
22900Q-1	1	Knob of Angle Guide
22900Q-2	2	Angle Guide
22900Q-3	3	Base of Angle Guide
22900Q-4	4	Nut M6
22900Q-5	5	Shank with Square Neck
22900Q-6	6	Shank Sleeve
22900Q-7	7	Cam

Item #	Part #	Description
22900Q-8	8	Spanner of Rip Guide
22900Q-9	9	Elastic Pin (3x25)
22900Q-10	10	Hold Down Block
22900Q-11	11	Round Pin (2-piece)
22900Q-12	12	Rip Guide
22900Q-13	13	Compression Spring
22900Q-14	14	Anti-slip Pad

Replacement Parts List

Item #	Part #	Description
22900Q-15	15	Block of Rip Guide
22900Q-16	16	Measure Guide (A)
22900Q-17	17	Handle Grip (Upper)
22900Q-18	18	Master Table
22900Q-19	19	Measure Guide (B)
22900Q-20	20	Knob of Blade Guard
22900Q-21	21	Blade Guard
22900Q-22	22	Bracket of Blade Guard
22900Q-23	23	M5x10 Pan Head Screw
22900Q-24	24	Right Table
22900Q-25	25	Positioning Spring Rt Table
22900Q-26	26	Elastic Washer 5
22900Q-27	27	M5x10 Screw
22900Q-28	28	Miter Table Support
22900Q-29	29	Side Spray Baffle
22900Q-30	30	ST4.2x15 Screw
22900Q-31	31	Spray Baffle
22900Q-32	32	Capacitor
22900Q-33	33	Capacitor Clamp
22900Q-34	34	ST4.2x15 Screw
22900Q-35	35	ST2.9x15 Screw
22900Q-36	36	Handle Grip (Lower)
22900Q-37	37	Cover of Motor
22900Q-38	38	Wind Guard Board
22900Q-39	39	Fixing Clip of Cord
22900Q-40	40	Base
22900Q-41	41	Nut
22900Q-42	42	Outer Flange
22900Q-44	44	Inner Flange

Item #	Part #	Description
22900Q-45	45	Sealing Pad
22900Q-46	46	M5x15 Hexagon Screw
22900Q-47	47	Flat Washer 5
22900Q-48	48	Water Proof Washer
22900Q-49	49	ST4.2x30 Tapping Screw
22900Q-50	50	M4x8 Pan Head Screw
22900Q-51	51	Elastic Washer 5
22900Q-52	52	Lock Washers Int. Teeth
22900Q-53	53	Motor
22900Q-54	54	Power Cord
22900Q-55	55	Power Cord Storage Rack
22900Q-56	56	Plate of Switch Protection
22900Q-57	57	Overload Protector
22900Q-58	58	Water-Proof Cap
22900Q-59	59	Switch Protector
22900Q-60	60	Switch
22900Q-61	61	Rubber Washer
22900Q-62	62	Flat Washer 8
22900Q-63	63	M8x18 Hexagonal Bolt
22900Q-64	64	Feet
22900Q-65	65	Base of Feet
22900Q-66	66	Anti-Bending Sleeve
22900Q-67	67	Block of Bench Stop
22900Q-68	68	Bench Stop
22900Q-69	69	Fix Cap of Plug
22900Q-70	70	Plug
22900Q-71	71	O-Shaped Seal Loop
6-7003Q	--	7" Diamond Blade