



48" Manual Tile Cutter

10480Q / 21178

ERGONOMIC

Soft grip handle locks into forward position for transport

PORTABLE

Handle and wheels for mobility

VERSATILE

Dual breaker bar for narrow and wide tile



21178
(Sold Separately)

ITEM	SIZE	MODEL
10480Q	48"	Tile Cutter
21178	7/8"	Titanium Coated Replacement Scoring Wheel

SECURE

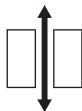
Locking swivel angle and measurement bar

10480Q

USE:

RIP CUT

Up to 48" Tile



CUTS:

- Ceramic
- Porcelain
- Mosaics

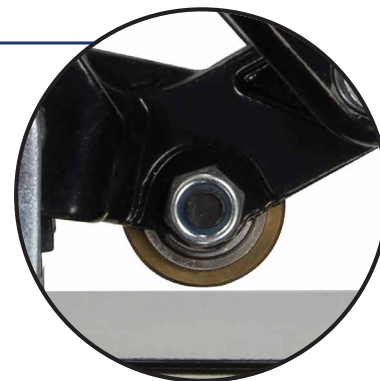
DIAGONAL

Up to 34" Tile

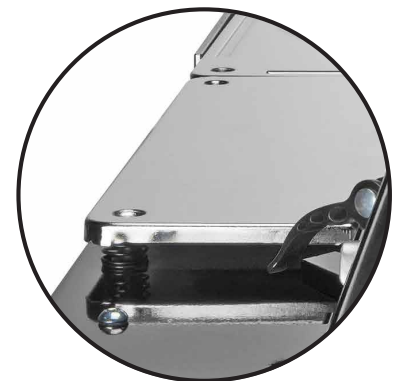


TILE DEPTH

5/8" Max.



INCLUDES ONE 7/8" TITANIUM-COATED TUNGSTEN CARBIDE CUTTING WHEEL (REPLACEABLE WHEEL SOLD SEPARATELY)



BREAKING PADS ARE MOUNTED ON SPRINGS FOR BETTER SHOCK ABSORPTION

Make your flooring project easier by cutting a wide variety of tiles with the QEP® Manual Tile Cutter. Compatible with an array of materials, this large format tile (LFT) cutter is suitable for large, professional tiling projects. Equipped with features that make cutting, measuring and transportation a breeze, this portable tile cutter will be the perfect addition to your tool collection.

Professional Tools for Professional Results

www.QEP.com

E2322-00000



Slimline Tile Cutters

10624Q / 10636Q

ERGONOMIC

15" ergonomic handle with a large grip provides leverage for difficult cuts and reduces fatigue

SMOOTH

Ball bearing carriage and die cast aluminum rail for smooth cuts



21178
(Sold Separately)

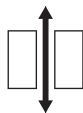
ITEM	SIZE	MODEL
10624Q	24"	Tile Cutter
10636Q	36"	Tile Cutter
21178	7/8"	Titanium Coated Replacement Scoring Wheel

LIGHTWEIGHT
Only 5-1/2" wide and lighter than any other cutters on the market for easy transport to the job site

USE:

RIP CUT

10624Q: Up to 24" Tile
10636Q: Up to 36" Tile



CUTS:

- Ceramic
- Porcelain

DIAGONAL

10624Q: Up to 18" Tile
10636Q: Up to 25" Tile



TILE DEPTH

1/2" Max.



INCLUDES ONE 7/8" TITANIUM TUNGSTEN CARBIDE CUTTING WHEEL. REPLACEABLE WHEEL SOLD SEPARATELY.



REINFORCED, THICK STEEL BASE WITH TILE SUPPORT ARMS

SCAN HERE FOR PRODUCT INFO



The QEP® Slimline Tile Cutter Series are less bulky, yet just as powerful as standard tile cutters. Only 5 1/2" wide, these cutters are lightweight and easy to carry from site to site. The dual rails are set 2 3/8" apart for a better view when scoring and snapping tile. These slim cutters are easy to operate and store, even in small spaces. These multi-purpose cutters are for most ceramic and porcelain tile.

Professional Tools for Professional Results

qep.com

03023-12253