



CERAMIC TILE BACKER BOARD

HIGHLIGHTS



ZERO FIRE & SMOKE RATING

- ASTM E84 Class A, Class 1
- ASTM E1354-09 Non-combustible
- CAN UL S135 Non-combustible
- BS EN1182 Class 1A Non-combustible



MOLD & MILDEW RESISTANT

- ASTM D-3273 highest rating of 10
- Natural inhibitors, no added chemicals
- Non-nutrient for mold and mildew



WATER RESISTANT

- Unaffected by water or water vapor
- Does not swell, rot, delaminate or disintegrate



IMPACT RESISTANT

- Meets ASTM standards for impact resistance of backer boards



TRANSFERABLE LIFETIME WARRANTY

- Warranted to be free from defects
- Warranty details available at XTREMEqep.com



EASY TO INSTALL

- Score and snap with utility knife
- Install with conventional fasteners



THERMAL VALUE

- Excellent for use with in-floor heat systems
- R-value = 0.493 / in.
- K-Value = 2.03 BTU / °F-ft²-H



SOUND INSULATION

- Tested under ASTM E-90
- Absorbs sound better than gypsum products



TERMITE & VERMIN RESISTANT

- Non-nutrient for termites or vermin



FREEZE-THAW TOLERANT

- Tested through 25 freeze cycles
- No changes in product characteristics

DESCRIPTION

X-TREME BOARD Ceramic Tile Backer Board offers builders, tile contractors and architects an environmental alternative and upgrade to replace cement backer boards for walls, floors and countertops.

This building panel can also be used as a wallboard in residential applications, replacing products that are susceptible to the growth of mold and mildew or in the homes of individuals with MCS (multiple chemical sensitivities).

Manufactured from a proprietary formula including Magnesium OxyChloride blends, perlite, reinforcing mesh, and recycled wood dust, X-TREME BOARD contains no silica dust, VOCs or other toxins.

PRODUCT DATA

ITEM #	WIDTH	LENGTH	THICKNESS	WEIGHT/SF
73000	48"	96"	1/2" (12 mm)	2.3 lbs
73001	36"	60"	1/2" (12 mm)	2.3 lbs
73002	48"	96"	1/4" (6 mm)	1.2 lbs
73003	36"	60"	1/4" (6 mm)	1.2 lbs
Special Order	48"	96"	1/8" (3 mm)	0.6 lbs
Special Order	36"	60"	1/8" (3 mm)	0.6 lbs

*Other lengths available. Contact your QEP Sales Representative

**Shipped in packaging units as shown.

STANDARDS

X-TREME BOARD Ceramic Tile Backer Board meets and exceeds International Building Standards. See ANSI Specifications for the Installation of Ceramic Tile: A108, A136.1, A131.7. X-TREME BOARD exceeds mold and mildew resistance standards earning the ASTM D-3273 highest rating of 10. It also meets fire and smoke safety standards. See ASTM E84 Class A, Class 1; ASTM E1354-09 Non-combustible and BS EN1182 Class 1A Non-combustible

AVAILABILITY

X-TREME BOARD Ceramic Tile Backer Board is distributed throughout the United States. Contact a QEP sales office or sales person for additional information.

COMPOSITION & MATERIALS

X-TREME BOARD Ceramic Tile Backer Board is manufactured from a proprietary formula including Magnesium OxyChloride blends, perlite, reinforcing mesh, and recycled wood dust. Product contains no silica dust, VOCs or other toxins.

LEED & NAHB GREENBUILDING CREDITS

X-TREME Board™ can contribute to credits in Green certification programs, including LEED 2.1 or 2.2 (construction waste management), 3.1 (EQ plan during construction), 4.1 recycled content; also NAHB Green Building 2.4 (recycled content), 2.5 (recycling waste), and 5.4 (innovative options). X-TREME Board™ qualifies for other programs with similar credits.

ENVIRONMENTAL CONDITIONS

In cold weather and during X-TREME BOARD Ceramic Tile Backer Board and tile installation, temperatures within the building shall be maintained within the range of 40 to 100°F (5 to 38°C). Adequate ventilation shall be provided to carry off excess moisture.

INTERIOR APPLICATIONS

The building shall be enclosed and the HVAC system operating so that wood framing shall reach the moisture content it will reach in service. Do not install board when the board is wet.

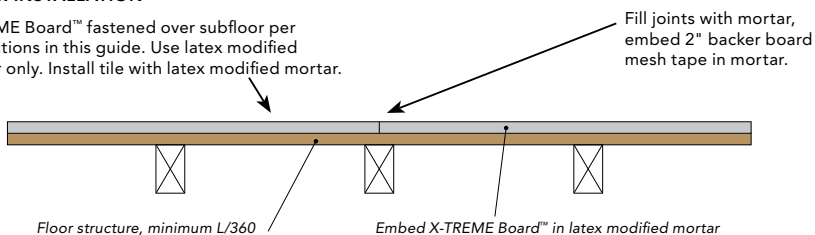
EXTERIOR APPLICATIONS (STONE AND TILE BACKER)

X-TREME Board may be used as a tile and facing stone backer on exterior walls. The installation should not extend from the exposed wall surface through the grade line. If it is used at or below grade, a control joint must be installed between the materials above and below grade, and an exterior grade waterproofing membrane must be applied to fully cover all surface areas and exposed edges, and the membrane must extend 8" above the finish grade line. Follow the guidelines for installation as an interior wall tile backer. In exterior applications only a surface applied waterproofing membrane will fully satisfy the warranty. A vapor barrier behind X-TREME Board™ is not warranted in exterior applications.

INSTALLATION

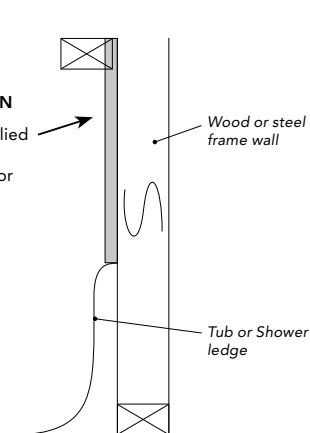
FLOOR INSTALLATION

X-TREME Board™ fastened over subfloor per instructions in this guide. Use latex modified mortar only. Install tile with latex modified mortar.



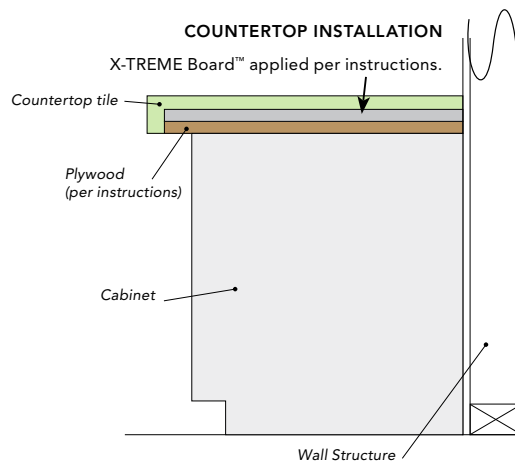
WALL INSTALLATION

X-TREME Board™ applied per instructions, with vapor barrier behind or surface applied.



COUNTERTOP INSTALLATION

X-TREME Board™ applied per instructions.



INSTALLATION GUIDELINES

- A. **Floor & Countertop installation:** 1/4" X-TREME Board is ideal. However, 1/2" maybe used when building up a floor level. Apply a bed of latex modified thinset mortar to the substrate and use a 1/4" x1/4"notched trowel. Lay X-TREME Board rough side upon the mortar and press it firmly into place. Fasten with corrosion resistant screws, galvanized nails or wide crown staples. Keep fasteners 3/4"away from edges. Fasten every 8" in both directions. Once fastened, fill any joints with the same modified thinset mortar, then install fiberglass backboard over. Tape over joints. Complete the fastening process by spreading thinset over tape with straight edge trowel. When thinset is dry you are ready to install your tile using a latex modified thinset.
- B. **Wall installation:** 1/2" X-TREME Board is ideal as it matches the thickness of existing drywall in most homes and provides sturdy backing for decorative tile and stone installed for backsplash, around bathtubs, showers and kitchens. Download the complete technical guide for all details on wall installations. To qualify for limited lifetime warranty, installations in wet areas such as tubs and showers require a vapor barrier. It should either be a waterproof sheet applied to the studs before X-TREME Board is installed or a liquid vapor barrier applied to the surface of X-TREME Board after installation. The various trade organizations in the tile industry strongly recommend the surface applied liquid vapor barrier for best results. When fastening X-TREME Board to the framing (rough side out) use corrosion resistant drywall screws or backer board screws at least 11/4" long. Use longer screws if fastening the X-TREME Board over any existing wallboard. Recommended spacing for edge and field fasteners is 6". Fill the joints with thinset and apply fiber glass backer board tape. Caulk the edge of the X-TREME Board where it meets the tub or shower ledge with a silicone based waterproof caulk. When caulk and thinset are dry you are ready to complete the installation of your decorative wall tiles. Use only latex modified thinset or all-purpose tile adhesive for installation of tiles.

INSTALLATION GUIDELINES

- A. If painting, apply a primer and finish coat according to paint manufacturer's instructions.
- B. To prevent excess moisture absorption - apply a low-VOC or zero-VOC penetrating sealer before applying joint compounds or finishing plasters.
- C. If applying earth plasters, use manufacturer's instructions for application of these plasters.
- D. Not recommended as a finish material behind wood stoves or around fireplaces.
- E. In exterior applications only: a surface applied waterproofing membrane will fully satisfy the warranty.

TECHNICAL DATA

1. Most Installation Instructions/Usage, ASTM test data, Add the following: ASTM C-518 method.
2. R-value at 1" = 0.493 °F-ft²-h / Btu
3. K-value = 1 / R = 2.03 Btu / °F-ft²-h
4. XTreme Board™ has a transferable warranty. Contractors should record and provide to building owners the purchase date and other pertinent information to obtain full warranty coverage. No other warranties, expressed or implied, apply to Xtreme board™. Improper handling or improper installation procedures will void the warranty. Please contact our customer service team at 866-435-8665.

PHYSICAL PROPERTIES

PROPERTY	METHOD	1/2"	1/4"	1/8"
Mold/Fungus	ASTM D3273		0*	
Flame	ASTM E84		Class 1 Class A	
Smoke	ASTM E84		Class 1 Class A	
Combustibility	BS EN1182		Class 1 Class A	
Combustibility	ASTM E-1354-09		Pass	
Combustibility	CAN UL S135		Pass	
Formaldehyde	EN120		0	
Asbestos	NIOSH9002		0	
Weight/SF	(nominal)	2.3 lbs	1.2 lbs	0.6 lbs

**PHYSICAL PROPERTIES
(1/2 BUILDING PANEL
CHARACTERISTICS)**

1/2 BUILDING PANEL CHARACTERISTICS	STANDARD	RESULT
Squareness	CCMC 6.4.3	0 mm deviation
Length Tolerance	CCMC 6.4.2	-3
Width Tolerance		-1
Humidified Deflection	CAN/CSA-A82.20.3.M91	1 mm
Flexural Strength, Wet	ASTM C947-89	3.14 MPa
Thickness Tolerance	CCMC 6.4.1	.6 mm
Hardness, N	CAN3-0188.0-M78	
Core		2674
End		2483
Edge		2438
Max. Moisture Absorption	ASTM C 1185	27% / 24 hrs 29% / 48 hrs
Fastener Pull Through	CAN/CSA-A82.20.3-M91	958
Fastener Lateral Resistance	ASTM D 1037-93	720 dry 558 wet 481 aged
Humidified Deflection	CAN/CSA A82.20.3-M91	1 mm
Impact-Fracture Point	CCMC5.1.2	5 ft. lb. load
Impact-Indentation	CCMC5.1.2	.66 dry .71 wet

FASTENER SCHEDULE

LOCATION	STRUCTURE	TYPE/LENGTH	SPACING
Wall or Ceiling	Steel Framing	Corrosion resistant, 1-1/4" bugle head, tapping screw	6" o.c. on wall frame 6" o.c. on ceiling joist
Wall or Ceiling	Wood Framing	Corrosion resistant, 1-1/4" bugle head, coarse thread, self-drilling screw	6" o.c. on wall frame 6" o.c. on ceiling joist
Wall or Ceiling	Wood Framing	Galvanized 7 d or 8 d framing nails	6" o.c. on wall frame 6" o.c. on ceiling joist
Floor or Countertop*	Wood Framing L/360 structural rating	Corrosion resistant, 1-1/4" wallboard or backer screw, galvanized nail or wide crown staple	8" o.c. in both directions throughout the field

**For countertops, follow floor fastener spacing schedule using minimum 1" length screws or 5d galvanized nails*

**PRODUCT
INFORMATION**

See qeptools.com for the most up-to-date product information.

DANGER

Emergency Overview: Not an explosive not a fire hazard.

Acute effects: Dust may cause irritation of the nose, throat, and airways, resulting in coughing and sneezing. Certain susceptible individuals may experience wheezing (spasms of bronchial airways) on inhaling dust during sawing operations.

Chronic effects: Repeated and Prolonged overexposures to dust can increase the risk of bronchitis and renal disease. Ingestion: Unlikely under normal conditions of use, but swallowing the dust from this product may result in irritation to the mouth and gastrointestinal tract.

Eye: Dust the eyes from mechanical abrasion causing watering and redness. Skin: Dust may cause irritation of the skin from friction but cannot be absorbed through the skin.

For more information, call Product Safety: 800 507-8899 or see the SDS at usg.com

KEEP OUT OF REACH OF CHILDREN.

TRADEMARKS

The trademarks QEP, X-TREME, X-XTREME BOARD, the QEP and X-TREME logos, the design elements and colors, and related marks are trademarks of QEP Co., Inc. or its affiliates.

NOTE

The information in this document is subject to change without notice. QEP Co., Inc. assumes no responsibility for any errors that may inadvertently appear in this document. Consult your QEP salesperson for information.

Products described here may not be available in all geographic markets.

NOTICE

We shall not be liable for incidental and consequential damages, directly or indirectly sustained, nor for any loss caused by application of these goods not in accordance with current printed instructions or for other than the intended use. Our liability is expressly limited to replacement of defective goods. Any claim shall be deemed waived unless made in writing to us within thirty (30) days from date it was or reasonably should have been discovered. SAFETY FIRST! Follow good safety/industrial hygiene practices during installation. Wear appropriate personal protective equipment. Read SDS and literature before specification and installation