

PARTS LIST

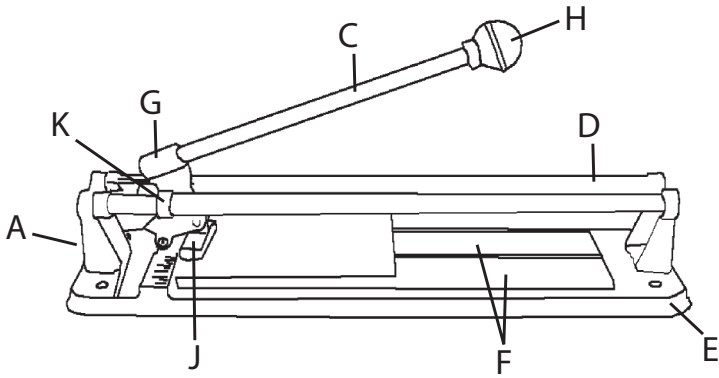


DIAGRAM LETTER

PART

DESCRIPTION

A	127-A	Rail Post
C	123-C	Handle with Knob
D	125-D	Rail Bars (2)
E	129-E	Metal Base
F	121-F	Replacement Pads (2)
G	128-G	Yoke
H	124-H	Knob Only
J	126-J	Breaker Bar
K	122-K	Slide Assembly