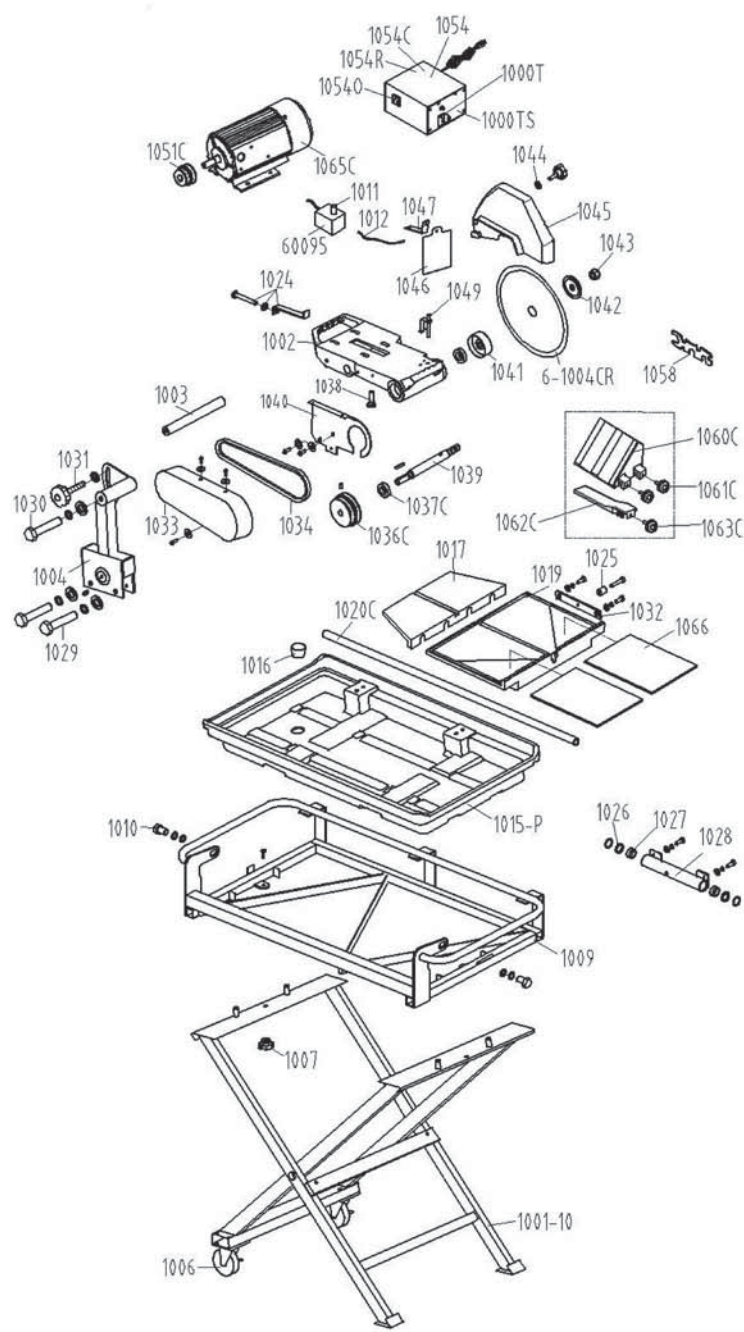




No. 60010 Brutus 18" Tile Saw



DESCRIPTION	NO.
Replacement Motor	610-0000
Toggle Switch	610-1000T
Face Plate for Switch	610-1000TS
Folding Saw Stand on Wheels	610-1001-10
Motor Base	610-1002
Motor Support Shaft	610-1003
Motor Support Arm	610-1004
Bolts on Motor(4) (Not Shown)	610-1005
Wheel w/ Brake	610-1006
Stand / frame Attachment Knobs(2)	610-1007
Fan (Not Shown)	610-1008C
Saw Frame	610-1009
Adjustable Screw - tray	610-1010
Water Valve	610-1011
Water Pump Tubing	610-1012
Water Tray (Plastic)	610-1015-P
Drain Plug	610-1016
Extension Table	610-1017
Cutting Table	610-1019
Rail	610-1020C
Screw & Nut for the Extension Table	610-1022
Motor Adjustment Clip w/Bolt & Washer	610-1024
Cutting Table Roller	610-1025
Grease Seals (2)	610-1026
Guide Tube Align Washers (2)	610-1027
Lubricated Guide Tube & Bolts	610-1028
Rear Support Post Nuts & Bolts	610-1029
Motor Support Shaft Bolt & Washer	610-1030
Rear Support Post Knob & Washer	610-1031
Roller Washer	610-1032
Belt Guard	610-1033
"A" Belt	610-1034
Blade Shaft Pulley	610-1036C
Blade Shaft Bear (2)	610-1037C
Blade Shaft Lock Pin	610-1038
Blade Shaft	610-1039
Belt Inner Guard	610-1040
Inner Flange	610-1041
Outer Flange	610-1042
Shaft Nut	610-1043
Blade Guard Knob & Washer & Shaft	610-1044
Blade Guard	610-1045
Back Splash Guard	610-1046
Attachment Bracket	610-1047
Y-Water Feed	610-1048
Blade Shaft Lock Pin Support	610-1049
Motor Pulley	610-1051C
Power Reset Button Housing	610-1054C
Run Capacitor	610-1054C
Water Pump Outlet	610-1054O
Thermal Overload Reset Button	610-1054R
Start Capacitor	610-1054S
Wrench	610-1058
45° Miter Block	610-1060
Miter Block Adjustment Knob	610-1061C
Rip Guide	610-1062C
Rip Guide Adjustment Knobs	610-1063C
Centrifugal Switch (not shown)	610-1064
Fan Cover	610-1065C
Rubber Mats for Cutting Tabel (2)	610-1066
Blade 10"	6-1004CR
Water Pump	60095

Wiring diagram

