



# 21" Ceramic Tile Cutter

## 10221Q / 21127Q

### STRONG

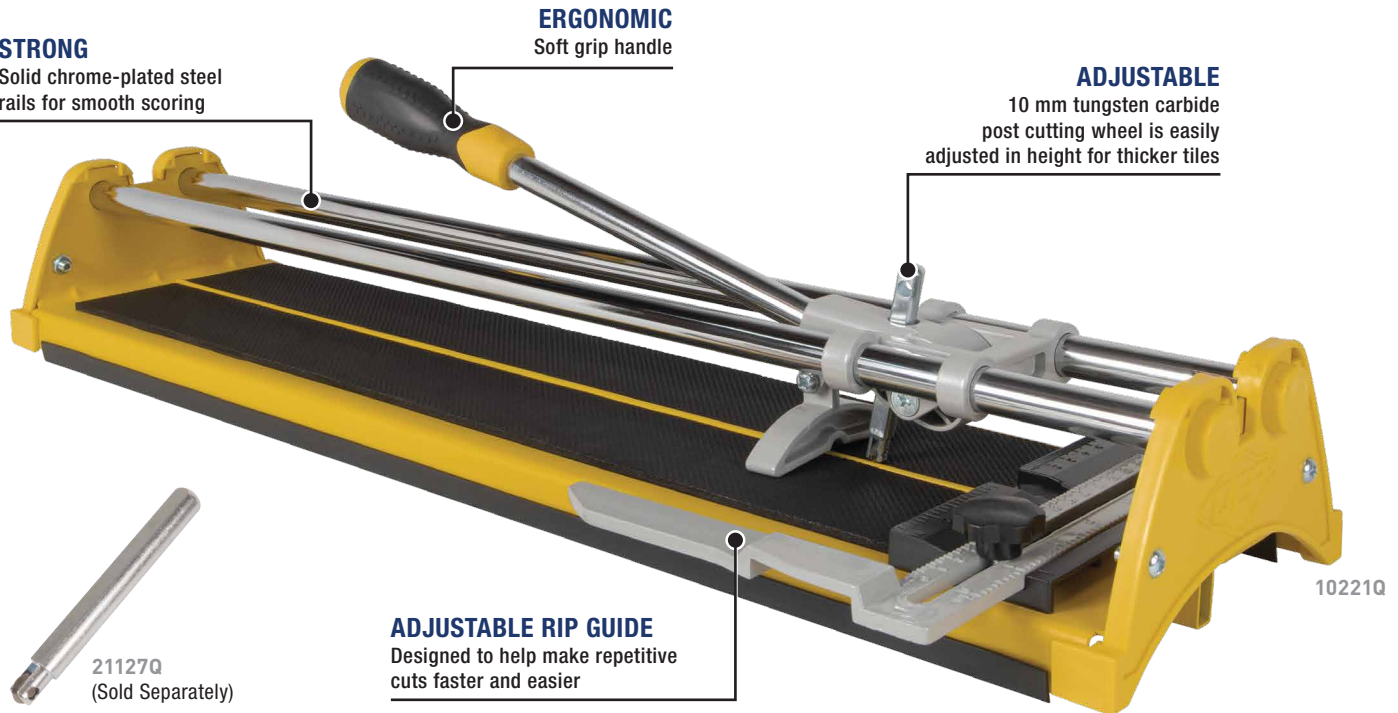
Solid chrome-plated steel rails for smooth scoring

### ERGONOMIC

Soft grip handle

### ADJUSTABLE

10 mm tungsten carbide post cutting wheel is easily adjusted in height for thicker tiles



10221Q

21127Q  
(Sold Separately)

### ADJUSTABLE RIP GUIDE

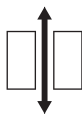
Designed to help make repetitive cuts faster and easier

ITEM	SIZE	MODEL
10221Q	21"	Tile Cutter
21127Q	10 mm	Tungsten carbide post cutting wheel

## USE:

### RIP CUT

Up to 21" Tile



### CUTS:

- Ceramic
- Porcelain

### DIAGONAL

Up to 15" Tile



### TILE DEPTH

3/8" Max.



**INCLUDES ONE 10 MM TUNGSTEN CARBIDE POST CUTTING WHEEL (REPLACEABLE WHEEL SOLD SEPARATELY)**

**CUTS WALL AND FLOOR CERAMIC AND PORCELAIN TILES UP TO 21" SQUARE, 15" DIAGONALLY**



The QEP® 21" Manual Tile Cutter with 10 mm post style cutting wheel scores and snaps wall and floor tiles up to 21", 15" diagonally. The solid, chrome-plated steel rails offer smooth scoring, while the welded center breaker beam and level foam side pads provide clean cuts and level surface. This cutter also includes an adjustable rip guide designed to help make repetitive cuts in tile faster and easier. This ceramic and porcelain tile cutter is ideal for the professional tile installer.

Professional Tools for Professional Results

www.QEP.com

E2322-00000