



# Outdoor Spacers for Pavers

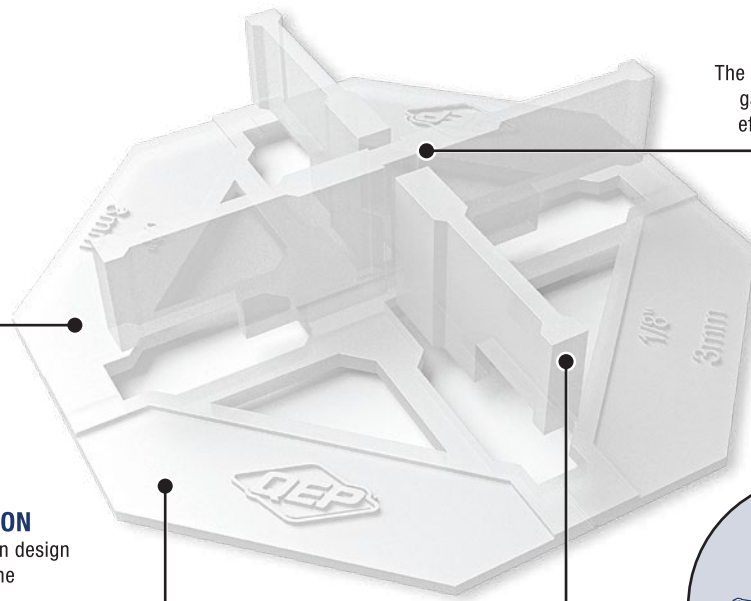
10451

## EASY TO CONCEAL

Transparent for better concealment in grass or sand installations

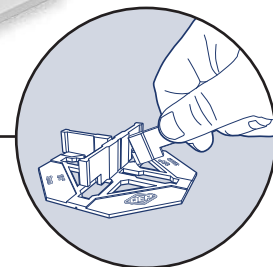
## EASY INSTALLATION

Easy to handle, leave-in design reduces installation time



## 1/8" SPACING

The spacer maintains 1/8" gap between pavers for efficient water drainage



## SNAPS

Spacers conveniently break at the line, leaving a half spacer for better placement against walls or other vertical surfaces



## VERSATILE

For easy installation of pavers over sand, gravel, and grass

The QEP® 1/8" Outdoor Spacers for Tile and Pavers help make installation of pavers over sand, gravel, and grass easy. They ensure alignment and precise positioning of pavers. These spacers are transparent in color for better concealment in grass or sand installations. They conveniently break at the line, leaving a half spacer for better placement against walls or other vertical surfaces.