



Outdoor Spacers for Pavers

10451

EASY TO CONCEAL

Transparent for better concealment in grass or sand installations

EASY INSTALLATION

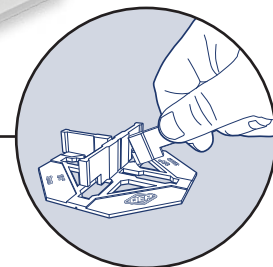
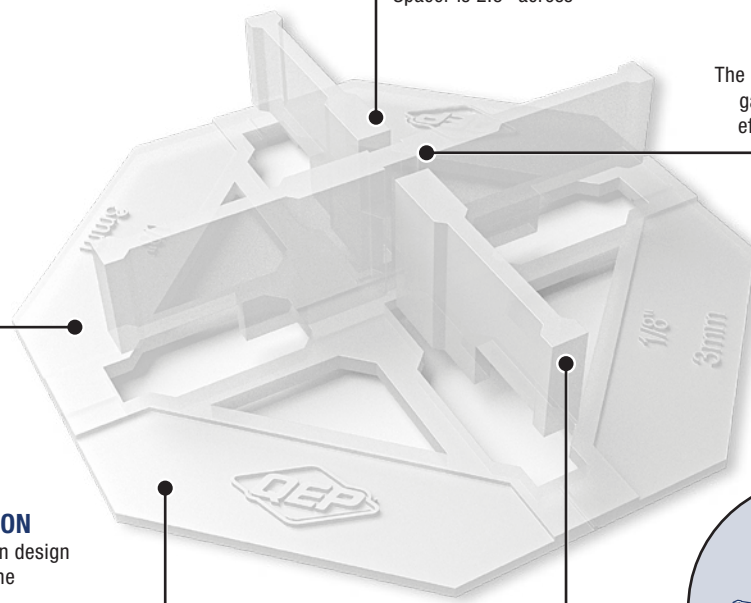
Easy to handle, leave-in design reduces installation time

DIMENSION

Spacer is 2.5" across

1/8" SPACING

The spacer maintains 1/8" gap between pavers for efficient water drainage



SNAPS

Spacers feature convenient break off tabs for aligning staggered pavers



VERSATILE

For easy installation of pavers over sand, gravel, and grass

SCAN HERE FOR
PRODUCT INFO



The QEP® 1/8" Outdoor Spacers for Tile and Pavers help make installation of pavers over sand, gravel, and grass easy. They ensure alignment and precise positioning of pavers. These spacers are transparent in color for better concealment in grass or sand installations. They are designed with convenient break off tabs for aligning staggered pavers. Paver Spacers make the entire installation stronger and more stable. Patent Pending.

Professional Tools for Professional Results

qep.com

E0823-12066